



CLIPSAL®

Wiser™

Technical Catalogue

clipsal.com/wiser

Life Is On

Schneider
Electric

Contents

- Overview p. 3
 - Simple and Scalable p. 3
 - Wiser™ Puts Your Customer In Control p. 4
 - Wiser System Architecture p. 5
 - Iconic Connected Solutions p. 7

- Technical Characteristics p. 8
 - Wiser Hub p. 8
 - Wiser Control Devices p. 10
 - Wiser Sensors p. 11
 - Wiser IP Camera p. 18
 - Wiser Micro Modules p. 20
 - Iconic Connected Devices p. 23
 - Switched Socket p. 28

- Commercial Reference Numbers p. 29
- Wiser by SE App – Commissioning Guide.. p. 30
- Wiser Home - Handover Guide..... p. 31
- Wiser System Installation Guide p. 32
- Wiser with Iconic p. 33
- Upgrade to ‘Skinability’ p. 33
- Green Premium™..... p. 35



As a smart home solution, you can configure and expand to suit any customer’s need, Clipsal Wiser™ gives you full flexibility.

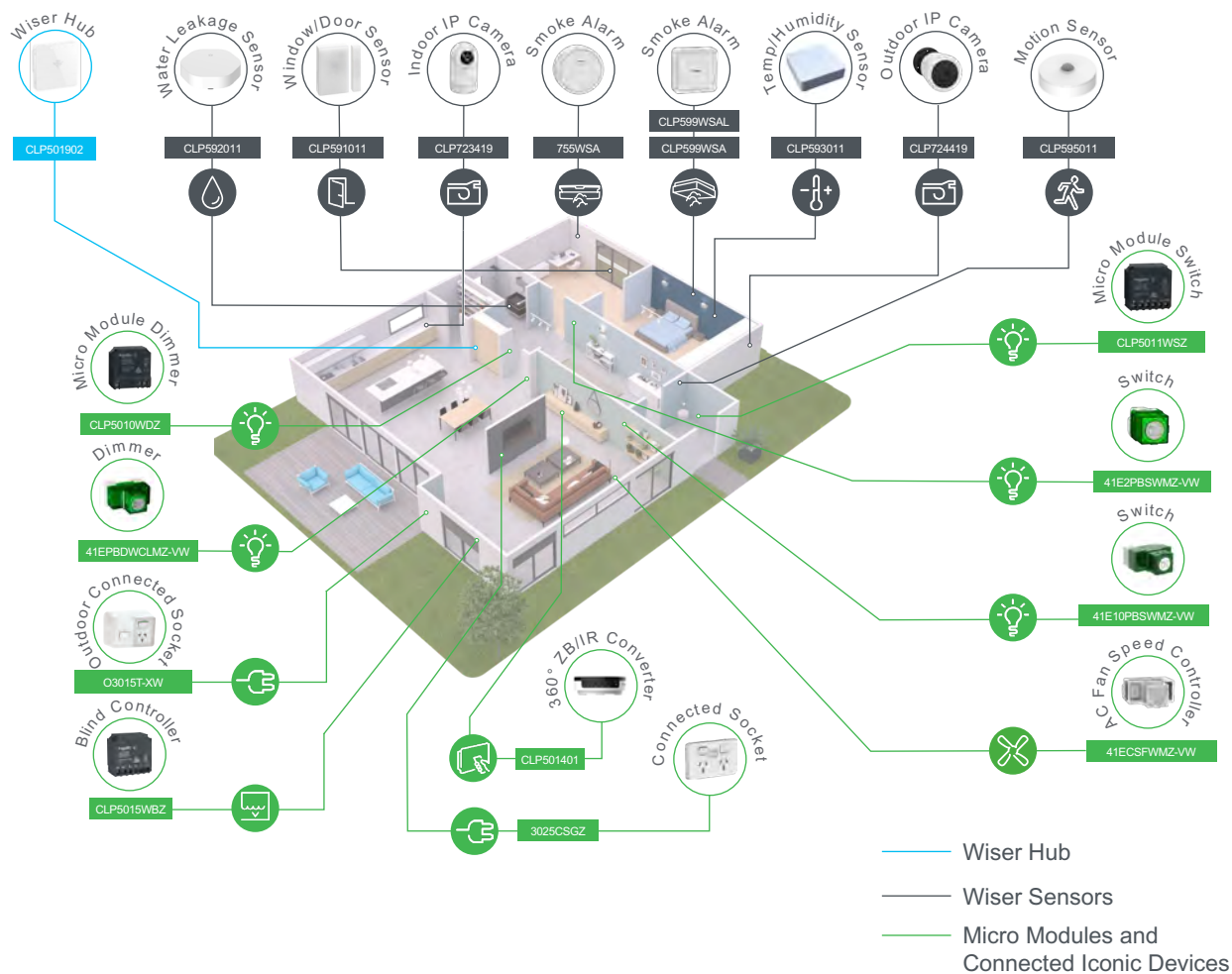
Be at the forefront of your next smart home installation with Clipsal Wiser, a product that combines local Australian know-how with Schneider Electric’s unrivalled global R&D and extensive smart home expertise. This smart home system utilises multi-award-winning designs and is incredibly powerful, yet straightforward for a skilled electrician to install. Best of all, a Wiser Smart Home solution can be upgraded with modular components as your customer’s needs change.

Plus your customers can integrate third-party devices like smart speakers for voice control, along with all products from the Clipsal Iconic range, so their Wiser Smart Home can grow with them.

Take your smart home business to the next level and discover the full range of solutions here.

Simple and Scalable

The Wiser™ system provides a convenient and flexible solution for controlling home devices.



Wiser Hub

The Wiser Hub is the centre of the system, processing control requests and status reports for connected devices. With a personal account and the Wiser by SE app on a mobile phone, users can control the Wiser devices in their home from any location where the internet is available.

Devices

A range of devices is available to provide convenient control of:

- Room Lighting
- Blind and Shutter
- Air Conditioning and TV/AV equipment
- Energy Management
- Appliances and Garage door/gates
- AC Ceiling Fans

Sensors are also available to record and report the following:

- Motion detection
- Ambient light level
- Window/door open or closed
- Temperature and humidity
- Water leakage
- Smoke detection

Wiser Puts Your Customer In Control

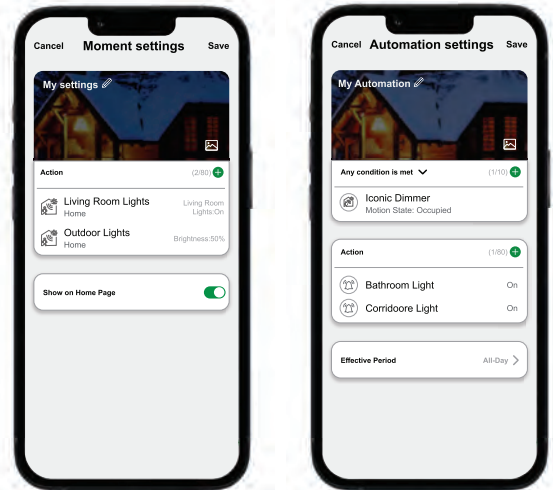
Combine the settings of one or more devices to form a scene that can be operated manually with just a tap, or automatically when one or more conditions are met.

Moments

Activate pre-set scenes with just a tap

Home owners operate shutters and lighting remotely with the app, or locally with voice assistants. This enables you to add value to your service, because you can set all of this up for them, create moments, or show them how to make the most of their system.

Moments can be set up for all kinds of scenarios in the home. These are great for dinner parties, having friends over for movie nights, or just winding down. Moments are a simple way to save favorite settings for lighting, shade, and temperature in any room.



Automations

Set and forget schedules to match your daily routine

True home automation is when a Moment happens exactly when it's supposed to. With pre-set conditions, in other words. For example, the air conditioning can be set up to stop when a window opens. Lights can be set to switch OFF when no motion is sensed, for example, for a specific period of time or in a particular room defined by the user in the Wiser by SE app. The system can activate an 'Evening' Moment when the sun sets, a 'Welcome Home' Moment when the front door opens, or at pretty much any time that suits your customer's lifestyle.

Wiser System Architecture

Wiser solutions use connected devices which leverage BLE or Zigbee technology, making them flexible and scalable.

Bluetooth Low Energy



BLE (Bluetooth Low Energy) provides a fundamental in-room point-to-point app control from your customer's smart device to an Iconic connected switch, dimmer, and/or connected socket. BLE connection does not require a hub and only connects on demand, meaning it uses minimal energy.

BLE technology is available in the Iconic connected switches, dimmers, and sockets.



Connected Socket



2 AX switch



10 AX switch



Dimmer



Fan Speed Controller

Zigbee Mesh System

Zigbee is an international wireless standard that allows broad-based preparation of wireless networks which are cost-effective and offer low-power solutions.



- Zigbee is a mesh network topology meaning that there are alternative paths for the information to go between two nodes in the network.
- Zigbee devices consume very little power and offer a very long battery life.
- Zigbee devices operate in networks, with paths spanning between 10 and 100 meters. (Range may be impacted by environment).

Mains powered Zigbee devices like Switches, Micro Modules, and Sockets act as signal repeaters or routing nodes, relaying the information sent by other devices and increasing coverage.

A Zigbee mesh network also has the following characteristics:

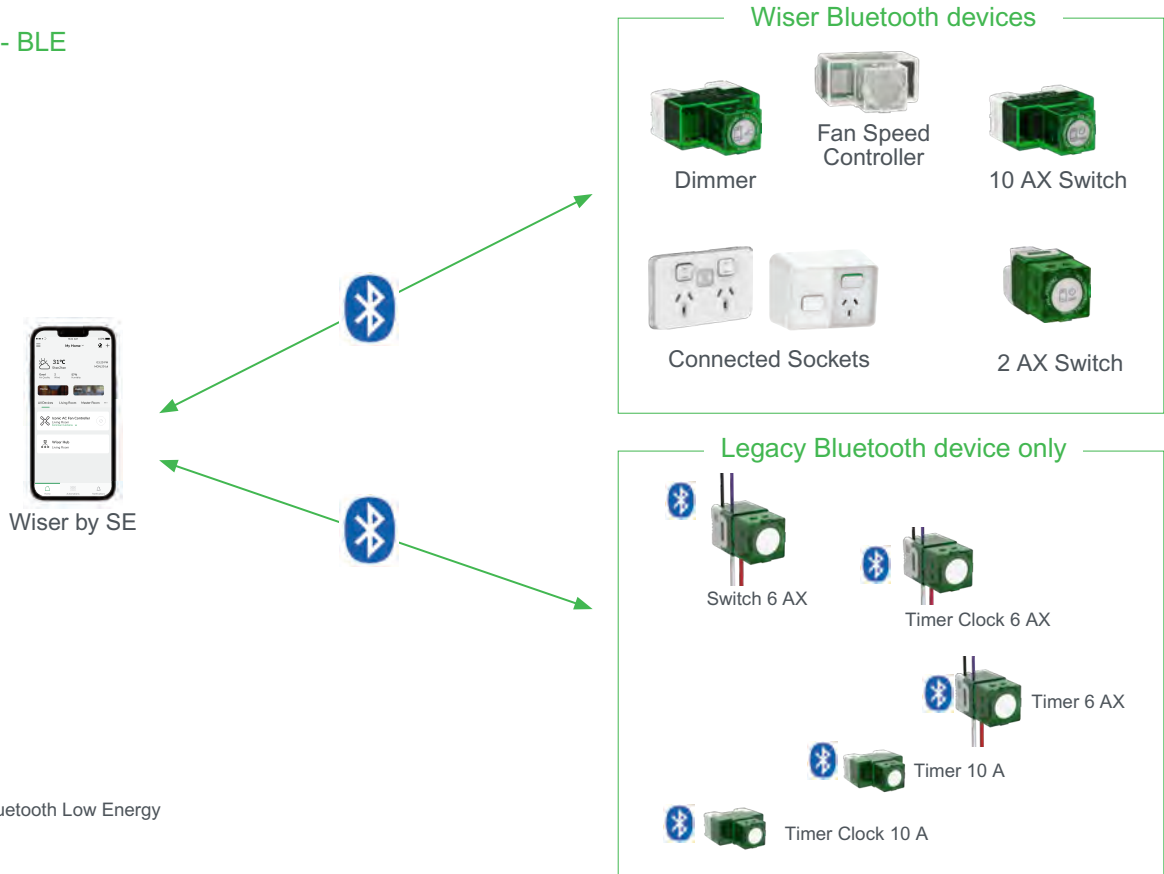
- Full redundancy for routing nodes
- Self-configuring
- Spontaneous re-routing when one or more links are down
- Spontaneous re-routing in cases of traffic congestion

Zigbee Mesh network example

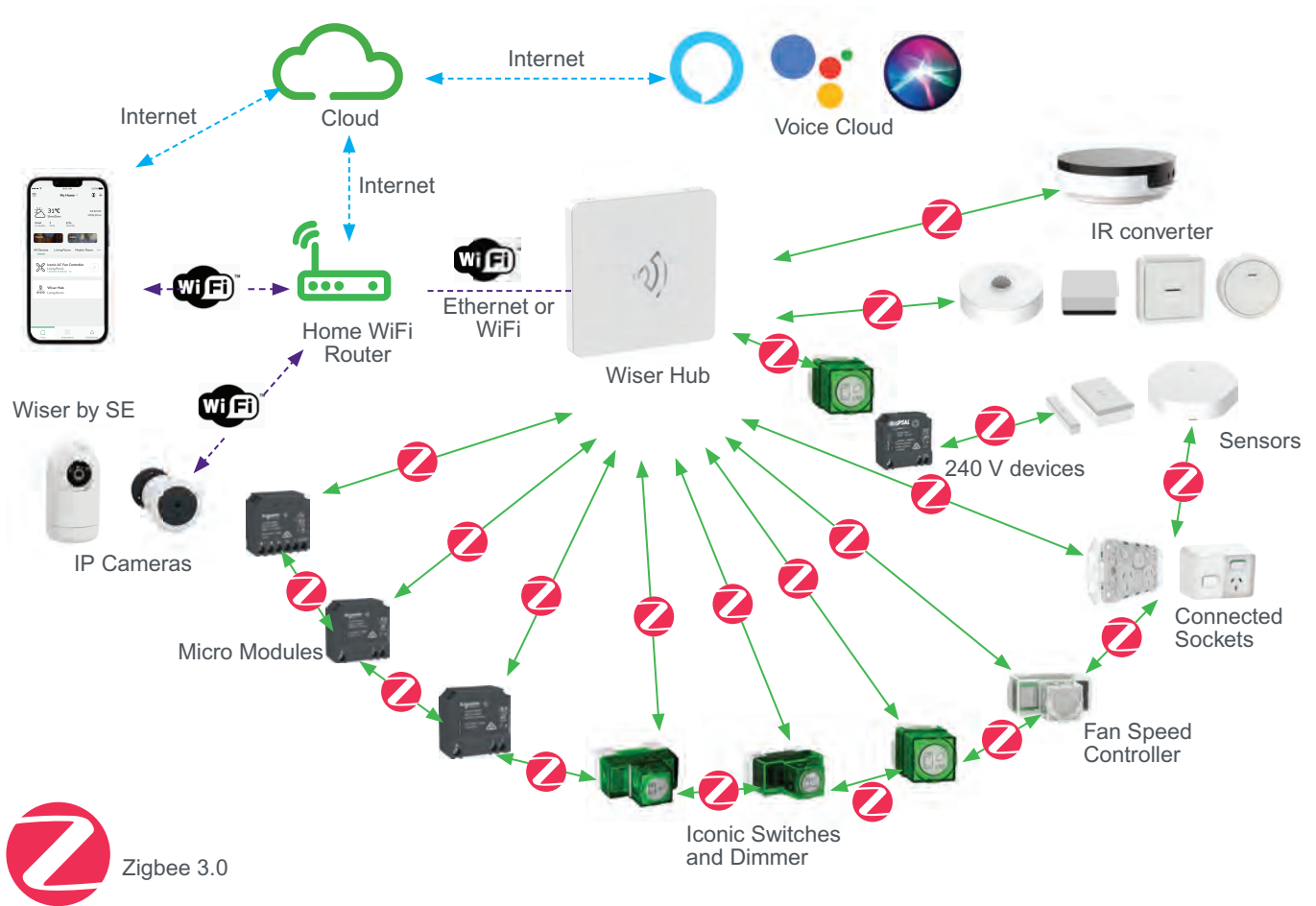


Wiser network topology

Room control - BLE



Home Control – Zigbee system



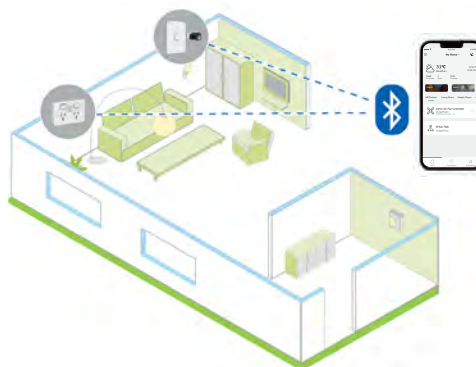
Iconic Connected Solutions

Scalable, from one switch to an entire home.

The Iconic connected switches, dimmers, and sockets leverage both BLE (Bluetooth Low Energy) and Zigbee technology, making them ultra-flexible and scalable. Iconic connected devices in BLE default mode can be swapped to Zigbee mode after installation to allow the smart home to evolve over time with the changing needs of the end user.

Room control - BLE

Use the Wiser by SE app to set timers, schedules, or specific device features by pairing your smartphone to an Iconic connected device in BLE mode. When in the room, the end user can switch loads and dim lights through the Wiser by SE app or directly via the wall-mount switch. The Wiser Hub is not required.



Iconic connected devices (BLE default)

- | | | |
|---|---------------|---|
|  | 41E2PBSWM-VW |  |
|  | 41E10PBSWM-VW | |
|  | 41EPBDWCLM-VW | |
|  | 41ECSFWM-VW | |
|  | 3025CSG | |
|  | O3015T-XW | |
|  | O3015T-BK | |

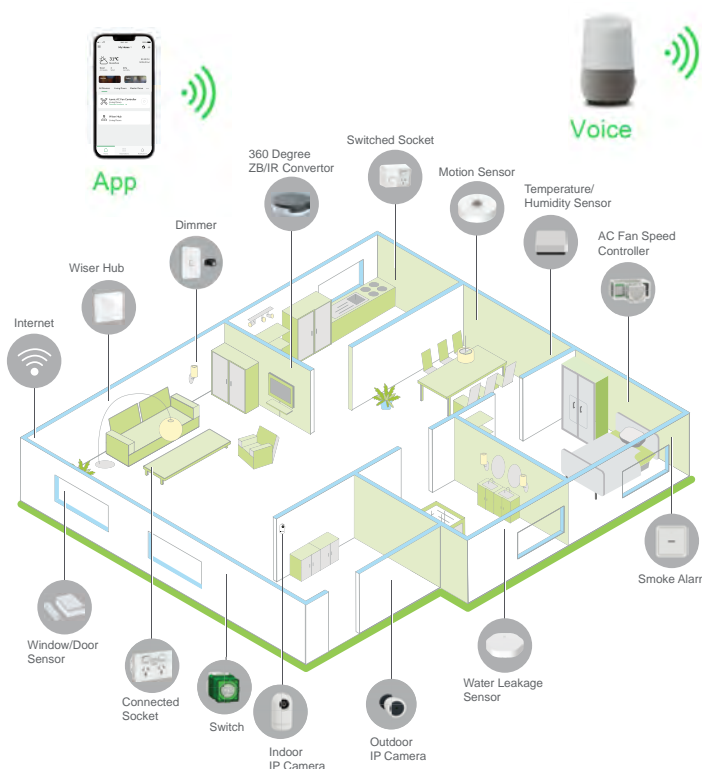
A clever combination of function and style

Iconic connected devices are supplied as a module or grid only, so that you can choose skins to match the end user's preferred style and colour.







Skins must be ordered separately.
(excludes the O3015T-XW and O3015T-BK)

Home control - Zigbee System

For an advanced smart home experience, Iconic connected devices in Zigbee mode can interact with other Wiser devices that are connected to the Wiser Hub. This allows the end user to benefit from the full feature set provided by the Wiser system, including Moments, sensor-triggered actions, remote access to the home, and voice control. The user is still able to control loads via the wall-mounted switches or the Wiser by SE app. See the Wiser System User Guide for more details.



Iconic connected devices (Zigbee default)

- | | | |
|---|----------------|---|
|  | 41E2PBSWMZ-VW |  |
|  | 41E10PBSWMZ-VW | |
|  | 41EPBDWCLMZ-VW | |
|  | 41ECSFWMZ-VW | |
|  | 3025CSGZ | |

Technical Characteristics

Wiser™ Hub



Download
Wiser by SE app



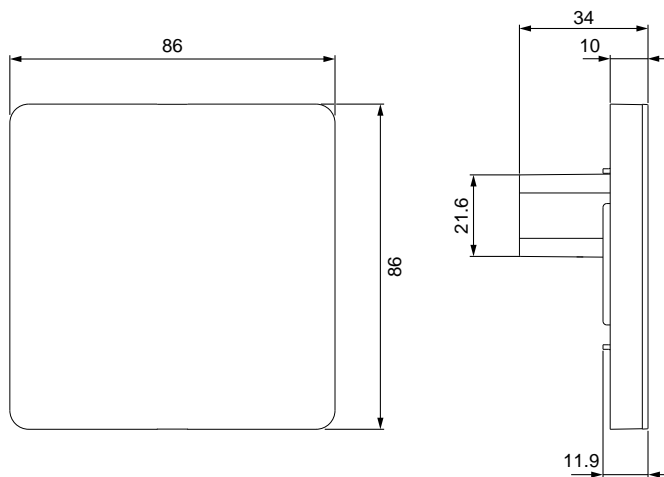
The Wiser Hub is the Wiser system communication interface, enabling you to easily manage your home environment. It connects Wiser devices and enables communication between one or more devices and a smartphone via the Wiser by SE app. The hub also allows you to control your home from a remote location. The hub can be placed on a table using the optional table stand or mounted on the wall using screws as hooks.



Wiser Hub

Identification	
Commercial reference	CLP501902
Product or component type	Zigbee to IP network hub
Product colour	White
Power	
Power supply	AC adaptor (included) or 12 VDC/0.5 A power supply through 2-pin terminal block (not included)
Connector type	Micro USB port for the AC adaptor / 2-pin terminal block for cable 0.25 mm ² to 1.50 mm ²
Nominal power for AC adaptor	100-240 V AC, 50/60 Hz
System clock	RTC function non replaceable battery
Communication	
Ethernet	IEEE802.3, 10/100 base-T (LAN)
WiFi®	2.4 GHz, IEEE802.11 b/g/n
Zigbee	2.4 GHz, IEEE802.15.4 compliant
Environment	
IP degree	IP20
Operating temperature	0 °C to 40 °C
Operating humidity	10 % to 90 % RH, non-condensing
Installation	
Dimensions (H x W x D)	86 x 86 x 34 mm
Installation method	The device can be installed directly on the wall using mounting screws, or on a table using the separately available Wiser Hub Table Stand CLP501902_0001
Package content	Hub, screws and wall plugs, AC adaptor, 2-pin plug, AC adaptor USB cable
Certification	
Zigbee®	Zigbee 3.0
Additional information	
<ul style="list-style-type: none"> Monitors and controls Wiser Zigbee devices through the Wiser by SE app, Ethernet or WiFi®. Through the Wiser by SE app, you can create Moments or Automations to operate Wiser Zigbee devices and Iconic connected devices in Zigbee mode. 	

Dimensions (mm)



Note:
Download the Wiser by SE app to your smartphone, and install the Wiser Hub to configure and control Wiser devices. You can use the app to pair, set up and control Wiser devices. The Wiser by SE app is available in the App stores for smartphones supporting operating systems Android™ OS (version 7 and above) or Apple® iOS (version 11 and above).

For more detailed information, refer to the Wiser User Guides online. Scan the QR code or follow the link: <https://www.productinfo.schneider-electric.com/clipsal/>



Technical Characteristics

Wiser Hub



Download
Wiser by SE app



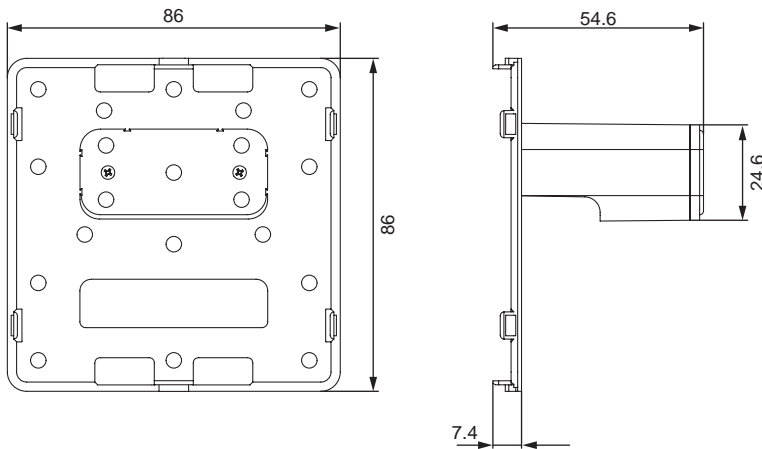
The Wiser Hub Table Stand is an optional stand for placing the Wiser Hub on a table or other flat surface.



Wiser Hub Table Stand

Identification	
Commercial reference	CLP501902_0001
Product or component type	Docking kit
Product colour	White
Environment	
Operating temperature	-10 °C to 45 °C
Relative humidity	10 % to 95 %
Installation	
Dimensions (H x W x D)	86 x 86 x 54.6 mm
Installation method	Attach Wiser Hub and place on table top

Dimensions (mm)



Note:

Download the Wiser by SE app to your smartphone, and install the Wiser Hub to configure and control Wiser devices. You can use the app to pair, set up and control Wiser devices. The Wiser by SE app is available in the App stores for smartphones supporting operating systems Android™ OS (version 7 and above) or Apple® iOS (version 11 and above).

For more detailed information, refer to the Wiser User Guides online. Scan the QR code or follow the link: <https://www.productinfo.schneider-electric.com/clipsal/>



Technical Characteristics

Wiser Control Devices



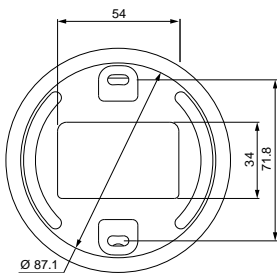
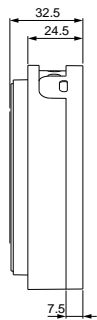
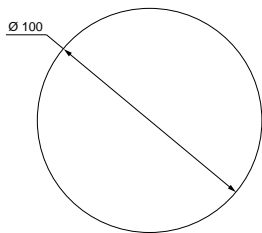
Download
Wiser by SE app



The Wiser IR Converter controls TVs, split air conditioners and HiFi systems via the Wiser by SE app using infrared (IR) technology. It can be mounted on the ceiling or placed on a table top. The device can be powered via either the Micro USB port (5 V DC up to 1 A), or 4 x AA Alkaline batteries. The Wiser IR Converter includes 3 IR ports to connect extendable IR emitter cables. The device also has an upgradeable IR database.

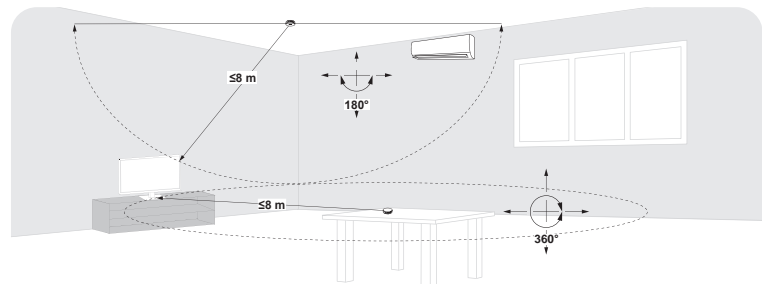


Dimensions (mm)



Wiser IR Converter

Identification	
Commercial reference	CLP501401
Product or component type	IR Controller
Product colour	Black and White
Power	
Power delivery	AC adaptor (included in package) or 4 x AA Alkaline battery (not included in package)
AC adaptor input	100-240 V AC, 50/60 Hz
AC adaptor output	5.0 V DC, 1.0 A, 5.0 W
AC adaptor connector type	Micro USB port
Alkaline battery life	Up to 1 year (may vary based on the usage, frequency of firmware update and environment)
Communication interface	
IR emitter energy	IEC825 compliant
Zigbee®	2.4 GHz, IEEE802.15.4 compliant
Operating frequency	2405-2480 MHz (Zigbee)
Max. radio frequency power Transmitted	<10 mW (Zigbee)
IR	
IR extension connector type	3 3.5 mm mono mini plug
IR extension cable length	5 m
IR control range (with extension cable)	1 m (from emitter to the IR controlled device)
IR control range (without extension cable)	≤8 m (from Wiser IR Converter to IR controlled device)
Environment	
IP rating	IP20
Operating temperature	-10 °C to +45 °C
Operating humidity	10 % to 90 % RH, non-condensing
Installation	
Dimensions (Ø x D)	Ø100.0 mm x 32.5 mm



Note:

Download the Wiser by SE app to your smartphone, and install the Wiser Hub to configure and control Wiser devices. You can use the app to pair, set up and control Wiser devices. The Wiser by SE app is available in the App stores for smartphones supporting operating systems Android™ OS (version 7 and above) or Apple® iOS (version 11 and above).

For more detailed information, refer to the Wiser User Guides online. Scan the QR code or follow the link: <https://www.productinfo.schneider-electric.com/clipsal/>



Technical Characteristics

Wiser Sensors



Download
Wiser by SE app



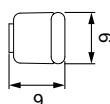
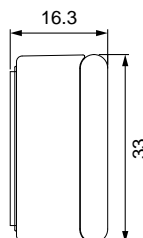
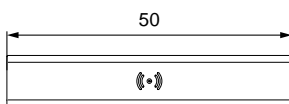
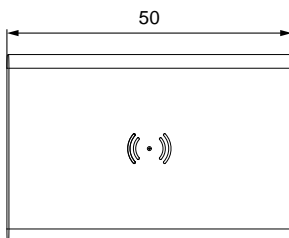
The Wiser Window/Door Sensor detects opened and closed windows and doors and reports the status to the Wiser Hub. It consists of two separate parts: a sensor and a magnet. The sensor includes a circuit which detects the magnet when it is in close proximity. When the sensor is connected to the Wiser Hub and the window/door is opened or closed, the sensor reports the change to the Wiser Hub.



Wiser Window/Door Sensor

Identification	
Commercial reference	CLP591011
Product or component type	Sensor
Product colour	White
Power	
Operating voltage	3 V DC (1 lithium button cell battery CR 2450)
Battery life	Up to 5 years (may vary based on the usage, frequency of firmware update and environment)
Environment	
IP rating	IP20
Operating temperature	-10 °C to 50 °C
Operating humidity	10 % to 95 % RH, non-condensing
Installation	
Dimensions (H x W x D)	Sensor: 50 x 33 x 16.3 mm Magnet: 50 x 9 x 9 mm
Installation method	On window and door frames, with screws or adhesive pads
Package content	Sensor, battery (pre-inserted), magnet, mounting base plate, double-sided adhesive pads, 2 screws, and 2 wall plugs
Certification	
Zigbee®	Zigbee 3.0

Dimensions (mm)



Note:

Download the Wiser by SE app to your smartphone, and install the Wiser Hub to configure and control Wiser devices. You can use the app to pair, set up and control Wiser devices. The Wiser by SE app is available in the App stores for smartphones supporting operating systems Android™ OS (version 7 and above) or Apple® iOS (version 11 and above).

For more detailed information, refer to the Wiser User Guides online. Scan the QR code or follow the link: <https://www.productinfo.schneider-electric.com/clipsal/>



Technical Characteristics

Wiser Sensors



Download
Wiser by SE app



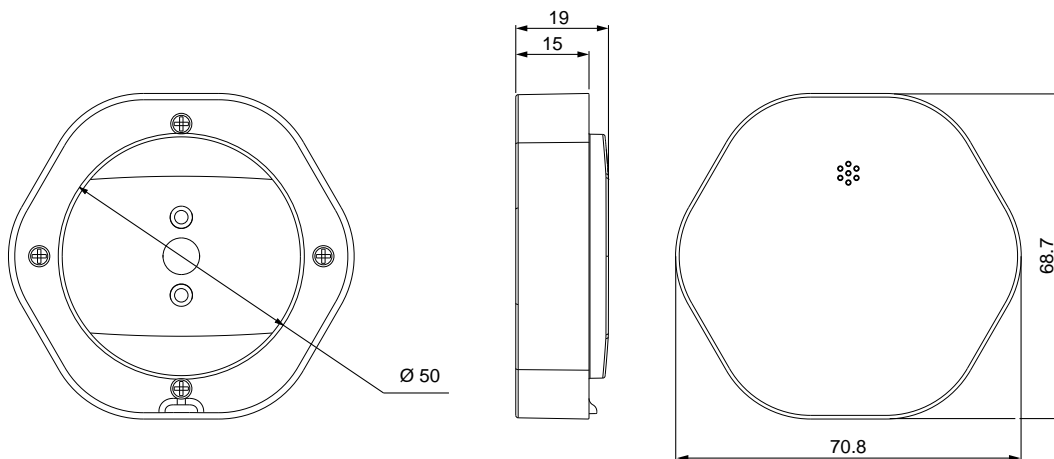
The Wiser Water Leakage Sensor detects the presence of water and alerts via an alarm and/or notification. When the sensor is connected to the Wiser Hub and detects water on the floor, it sends out a sound alarm and reports the event to the Wiser Hub. Householders with the Wiser by SE app installed on their smartphones can receive a push notification. The sensor should be placed where leaks are most likely to occur: the bottom level of your home or places like basement, kitchen, bathroom, balcony, bedroom, living room, utility room or anywhere you think leaks are possible. The sensor has two sensing pads at the bottom of the body. The pads are in contact with the floor surface when the sensor is placed in its operating position. The alarm activates when water is present between the pads.



Wiser Water Leakage Sensor

Identification	
Commercial Reference	CLP592011
Product colour	White
Product or component type	Sensor
Power	
Operating voltage	3 V DC (2 batteries LR03 AAA)
Battery life	Up to 5 years (may vary based on the usage, frequency of firmware update and environment)
Characteristics	
Sound level	≥70 dB at 3 m distance
Environment	
IP rating	IP44
Operating temperature	-10 °C to 50 °C
Operating humidity	10 % to 95 % RH, non-condensing
Installation	
Dimensions (H × W × D)	70.8 × 68.7 × 19 mm
Installation method	Place in the area of detection with the water sensor facing downwards
Package content	Sensor, 2 batteries (pre-inserted)
Certification	
Zigbee®	Zigbee 3.0

Dimensions (mm)



Note:

Download the Wiser by SE app to your smartphone, and install the Wiser Hub to configure and control Wiser devices. You can use the app to pair, set up and control Wiser devices. The Wiser by SE app is available in the App stores for smartphones supporting operating systems Android™ OS (version 7 and above) or Apple® iOS (version 11 and above).

For more detailed information, refer to the Wiser User Guides online. Scan the QR code or follow the link: <https://www.productinfo.schneider-electric.com/clipsal/>



Technical Characteristics

Wiser Sensors



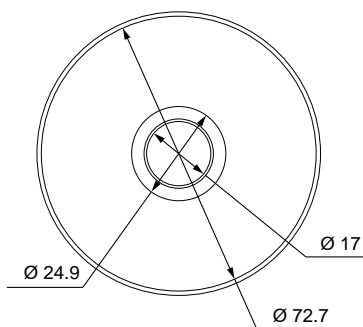
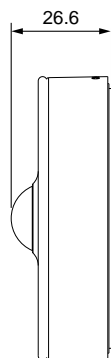
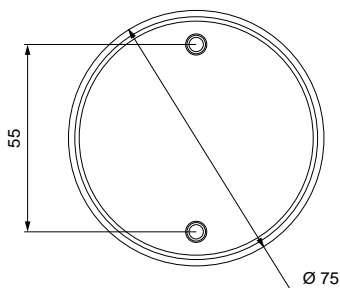
Download
Wiser by SE app



The Wiser Motion Sensor detects movement and measures luminance in a room, reporting the status to the Wiser Hub. It controls Wiser devices to configure the room for a desired effect. The threshold of luminance settings and/or detection of movement can be programmed to determine what action to be taken at that moment: for example, switch on a lamp controlled by a Wiser switch or dimmer.

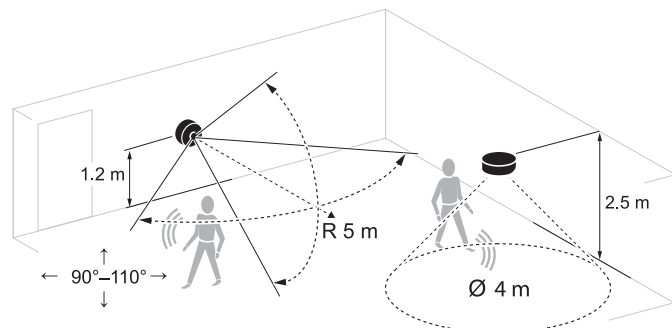


Dimensions (mm)



Wiser Motion Sensor

Identification	
Commercial Reference	CLP595011
Product colour	White
Product or component type	Sensor
Power	
Operating voltage	3 V DC (2 batteries LR03 AAA)
Battery life	Up to 5 years (may vary based on the usage, frequency of firmware update and environment)
Characteristics	
Lux measurement range	0 lx to 2000 lx
Lux resolution	1 lx
Accuracy of lux measurement	±50 lx (<100 lx) or ±30 % lx (>100 lx)
Environment	
IP rating	IP20
Operating temperature	-10 °C to 50 °C
Operating humidity	10 % to 95 % RH, non-condensing
Installation	
Dimensions (Ø × D)	Ø 75.0 × 26.6 mm
Installation method	Surface-mounting, with screws or adhesive pads, on a ceiling or a wall
Detection range: ceiling mounted	At 2.5 m Detection angle: 360° Detection range: 4 m diameter max.
Detection range: wall mounted	At 1.2 m Detection angle: 90° to 110° horizontal and vertical Detection range: 5 m in radius max.
Package content	Sensor, 2 batteries (pre-inserted), mounting base plate, double-sided adhesive pads, 2 screws, 2 wall plugs, instruction sheet
Certification	
Zigbee®	Zigbee 3.0



Note:

Download the Wiser by SE app to your smartphone, and install the Wiser Hub to configure and control Wiser devices. You can use the app to pair, set up and control Wiser devices. The Wiser by SE app is available in the App stores for smartphones supporting operating systems Android™ OS (version 7 and above) or Apple® iOS (version 11 and above).

For more detailed information, refer to the Wiser User Guides online. Scan the QR code or follow the link: <https://www.productinfo.schneider-electric.com/clipsal/>



Technical Characteristics

Wiser Sensors



Download
Wiser by SE app



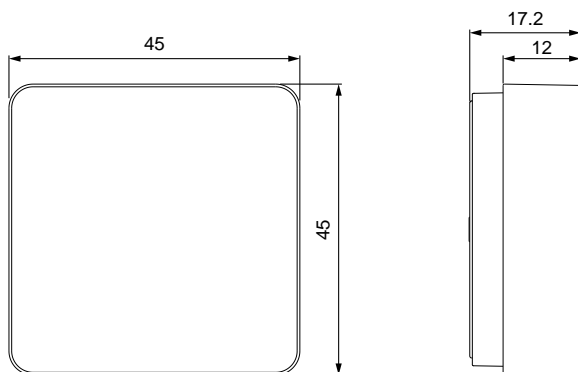
The Wiser Temperature/Humidity Sensor helps to maintain a comfortable environment in the home by detecting changes in temperature and humidity and reporting climate data to the Wiser Hub.



Wiser Temperature/Humidity Sensor

Identification	
Commercial Reference	CLP593011
Product colour	White
Product or component type	Sensor
Power	
Operating voltage	3 V DC (1 lithium button cell battery CR 2450)
Battery life	Up to 5 years (may vary based on the usage, frequency of firmware update and environment)
Characteristics	
Temperature accuracy	±1.5 °C
Temperature resolution	0.1 °C
Humidity accuracy	±5 %
Environment	
IP rating	IP20
Operating temperature	-10 °C to 50 °C
Operating humidity	10 % to 95 % RH, non-condensing
Installation	
Dimensions (H x W x D)	45 x 45 x 17.2 mm
Installation method	Surface-mounting, with screws or adhesive pads
Package content	Sensor, battery (pre-inserted), mounting base plate, double-sided adhesive pads, 2 screws, 2 wall plugs, instruction sheet
Certification	
Zigbee®	Zigbee 3.0

Dimensions (mm)



Note:

Download the Wiser by SE app to your smartphone, and install the Wiser Hub to configure and control Wiser devices. You can use the app to pair, set up and control Wiser devices. The Wiser by SE app is available in the App stores for smartphones supporting operating systems Android™ OS (version 7 and above) or Apple® iOS (version 11 and above).

For more detailed information, refer to the Wiser User Guides online. Scan the QR code or follow the link: <https://www.productinfo.schneider-electric.com/clipsal/>



Technical Characteristics

Wiser Sensors



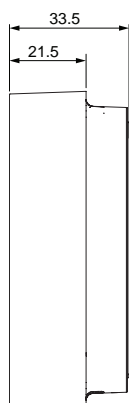
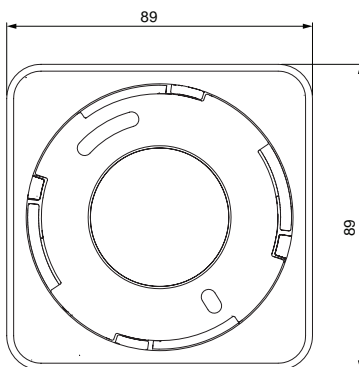
Download
Wiser by SE app




The Wiser Smoke Alarm - Battery combines a photoelectric smoke alarm with smart home functions. Interconnecting with existing wireless Fire Tek® smoke alarms via RF, the Wiser battery powered alarms can be used separately or as part of a Wiser Smart Home System. The Wiser by SE app provides push notification alerts if smoke is detected, and automations can also be programmed to turn lights ON or flash to help provide fast warning if smoke is detected. The dual spectrum smoke sensing technology helps to mitigate false alarms for added confidence.



Dimensions (mm)



Wiser Smoke Alarm - Battery

Identification	
Commercial Reference	CLP599WSAL
Product colour	White
Product or component type	Sensor
Power	
Operating voltage	3 V DC (Lithium Battery)
Operating current	≤ 40 mA
Battery life	10 years (non replaceable)
Characteristics	
Sensing type	Dual Spectrum Photoelectric. This alarm contains NO radioactive material
Interconnecting	RF + Zigbee, max. 40 devices in one network Wireless interconnection Compatible with the Fire Tek (R) 755LPSMA4 and 755RFB2 RF base
Operating frequency	Zigbee: 2405 - 2480 MHz RF: 433 MHz
Wireless range	Zigbee: 40 m line of sight RF: 50 m line of sight
Horn level	85 dB at 3 m
Hush mode duration	10 minutes
LED brightness levels	High / Low
Alarm memory	72 hours
Temperature for alarm	If temp > 57 °C
Environment	
Operating temperature	0 °C to 45 °C
Ambient humidity	5 % to 95 %
Installation	
Dimensions (H × W × D)	89 × 89 × 33.5 mm
Installation method	Mount on ceiling and wall only
Package content	Wiser Smoke Alarm - Battery, mounting base, 2 screws, 2 wall plugs, primary label, instruction sheet, dust cover
Certification	
Zigbee 3.0, AS 3786: 2014 + A2: 2018, RCM 	

Note:

Download the Wiser by SE app to your smartphone, and install the Wiser Hub to configure and control Wiser devices. You can use the app to pair, set up and control Wiser devices. The Wiser by SE app is available in the App stores for smartphones supporting operating systems Android™ OS (version 7 and above) or Apple® iOS (version 11 and above).



For more detailed information, refer to the Wiser User Guides online. Scan the QR code or follow the link: <https://www.productinfo.schneider-electric.com/clipsal/>



Technical Characteristics

Wiser Sensors



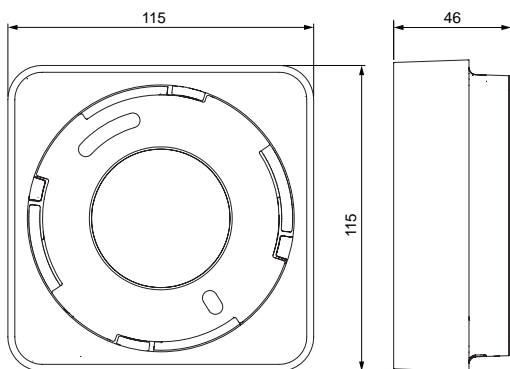
Download
Wiser by SE app



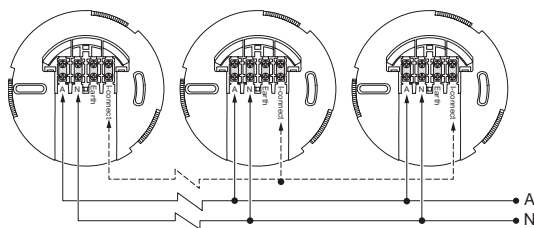
The Wiser Smoke Alarm 240 V Square combines a photoelectric smoke alarm with smart home functions. Interconnecting with existing wireless Fire Tek® smoke alarms via RF, the Wiser smoke alarms can be used separately or as part of a Wiser Smart Home System. The Wiser by SE app provides push notification alerts if smoke is detected, and automations can also be programmed to turn lights ON or flash to help provide fast warning if smoke is detected. The dual spectrum smoke sensing technology helps to mitigate false alarms for added confidence.




Dimensions (mm)



Wiring diagram



Wiser Smoke Alarm - 240 V Square

Identification	
Commercial Reference	CLP599WSA
Product colour	White
Product or component type	Sensor
Power	
Power supply	220-240 V AC, 50 / 60 Hz
Operating current	≤ 40 mA
Back up battery life	10 years
Characteristics	
Sensing type	Photoelectric. This alarm contains NO radioactive material
Interconnecting	RF + Zigbee, max. 40 devices in one network Compatible devices for wired connection: 755WSA, 755PSMA4, 755RLPSMA4, 755PFM4 Compatible devices for wireless connection: CLP599WSAL, 755WSA, 755LPSMA4, 755RFB2
Terminal provisions	Active, neutral, loop and interconnect terminals, each accommodates 2 x 1.5 mm ²
Operating frequency	Zigbee: 2405 - 2480 MHz RF: 433 MHz
Wireless range	40 m indoor line of sight
Horn level	85 dB at 3 m, minimum
Hush mode duration	10 minutes
LED brightness levels	High / Low
Alarm memory	72 hours
Temperature for alarm	If temp > 57 °C
Environment	
Operating temperature	0 °C to 45 °C
Ambient humidity	5 % to 95 %
Installation	
Dimensions (H x W x D)	115 x 115 x 46 mm
Installation method	Mount on ceiling and wall only
Package content	Wiser Smoke Alarm 240 V Square, mounting base, 2 screws, 2 wall plugs, primary label, instruction sheet, dust cover
Certification	
Zigbee 3.0, AS 3786: 2014 + A1: 2015 + A2: 2018, RCM 	

Note:

Download the Wiser by SE app to your smartphone, and install the Wiser Hub to configure and control Wiser devices. You can use the app to pair, set up and control Wiser devices. The Wiser by SE app is available in the App stores for smartphones supporting operating systems Android™ OS (version 7 and above) or Apple® iOS (version 11 and above).

For more detailed information, refer to the Wiser User Guides online. Scan the QR code or follow the link: <https://www.productinfo.schneider-electric.com/clipsal/>



Technical Characteristics

Wiser Sensors



Download

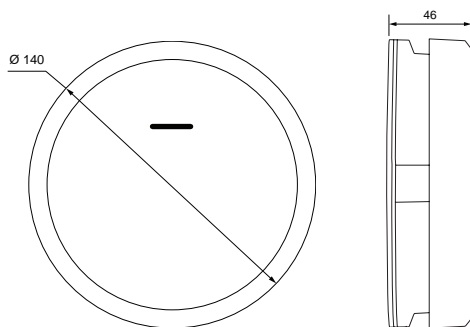
Wiser by SE app



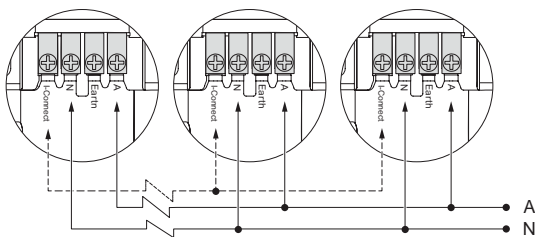
The Wiser Smoke Alarm 240 V combines a photoelectric smoke alarm with smart home functions. Interconnecting with existing wireless Fire Tek® smoke alarms via RF, the Wiser smoke alarms can be used separately or as part of a Wiser Smart Home System. It is also compatible with Gen4 Fire Tek® mounting bases for simple upgrade opportunities. The Wiser by SE app provides push notification alerts if smoke is detected, and automations can also be programmed to turn lights ON or flash to help provide fast warning if smoke is detected. The dual spectrum smoke sensing technology helps to mitigate false alarms for added confidence.



Dimensions (mm)



Wiring diagram



Wiser Smoke Alarm 240 V

Identification	
Commercial Reference	755WSA
Product colour	White
Product or component type	Sensor
Power	
Power supply	220-240 V AC, 50 / 60 Hz
Operating current	≤ 40 mA
Back up battery life	10 years
Characteristics	
Sensing type	Photoelectric. This alarm contains NO radioactive material
Interconnecting	RF + Zigbee, max. 40 devices in one network Compatible devices for wired connection: CLP599WSA, 755PSMA4, 755RLPSMA4, 755PFM4 Compatible devices for wireless connection: 755LPMSMA4, 755RFB2, CLP599WSAL and CLP599WSA
Terminal provisions	Active, neutral, loop and interconnect terminals, each accommodates 2 × 1.5 mm ²
Operating frequency	Zigbee: 2405 - 2480 MHz RF: 433 MHz
Wireless range	40 m indoor line of sight
Horn level	85 dB at 3 m, minimum
Hush mode duration	10 minutes
LED brightness levels	High / Low
Alarm memory	72 hours
Temperature for alarm	If temp > 57 °C
Environment	
Operating temperature	0 °C to 45 °C
Ambient humidity	5 % to 95 %
Installation	
Dimensions (H × Ø)	46 × 140 mm
Installation method	Mount on ceiling and wall only
Package content	Smoke Alarm 240 V, works with Wiser, mounting base, 2 screws, 2 wall plugs, primary label, instruction sheet, dust cover
Certification	
Zigbee 3.0, AS 3786: 2014 + A1: 2015 + A2: 2018, RCM	

Note:

Download the Wiser by SE app to your smartphone, and install the Wiser Hub to configure and control Wiser devices. You can use the app to pair, set up and control Wiser devices. The Wiser by SE app is available in the App stores for smartphones supporting operating systems Android™ OS (version 7 and above) or Apple® iOS (version 11 and above).

For more detailed information, refer to the Wiser User Guides online. Scan the QR code or follow the link: <https://www.productinfo.schneider-electric.com/clipsal/>



Technical Characteristics

Wiser IP Camera



Download
Wiser by SE app



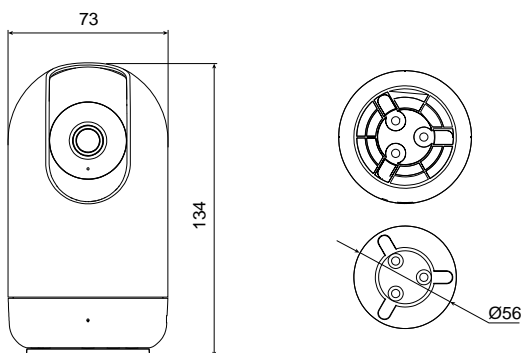
The Wiser IP Camera Indoor provides day and night HD video recording, with a 340° panning view, motion detection notification alerts, intercom, and event or continuous recording. Simple and intuitive control via the Wiser by SE App from anywhere. Use standalone or integrate into the Wiser Smart Home System and Automations. It can be mounted on the ceiling or placed on a table top.



Wiser IP Camera Indoor

Identification	
Commercial reference	CLP723419
Product or component type	Camera
Product colour	White
Power	
Power supply	5 VDC, 2 A
Nominal power for AC adaptor	100-240 VAC, 50/60 Hz
Characteristics	
Communication interface	Wi-Fi®- 2.4 GHz, IEEE802.11 b/g/n compliant
Security	Wi-Fi®- WPA-PSK /WPA2-PSK Data - AES128
Connector type	Micro USB port for the AC adaptor
Transmission capacity	Max. 100 mW
Camera	1/2.9" CMOS sensor 80° horizontal and 40° vertical wide-angle lens 0° - 340° pan angle -75° to +75° tilt angle F2.1 focal length 7 m IR range Full HD camera with night vision Motion detection and motion tracking Integrated patrol function with 340° recording option 2-way audio communication Screen flip function available, specially useful when installed on ceilings Supports time watermark, to record videos with date and time stamp
Motion detection range	7 m
Operating frequency	2405 - 2480 MHz
Image/Video	1080 P resolution Supports image snapshot, event recording and continuous recording.
Local storage support	Micro SD Card, max. 128 GB (not included)
Installation	
Dimensions	Ø 56 × 73 × 134 mm
Weight	298 g
Material	Plastic
Environment	
Operating temperature	-10 °C to 45 °C
Storage temperature	-20 °C to 60 °C
Operating humidity	≤ 95 % DH
Functions and settings	
<ul style="list-style-type: none"> • Supports snapshot and video recording on micro SD card. • Option to choose between 1-way and 2-way communication. • Option to activate motion tracking. • Can control the pan and tilt angles of the camera (via app). • On detecting motion, sends notifications and snapshots. • Can be integrated into automations created via Wiser by SE app. 	

Dimensions (mm)



Note:

Download the Wiser by SE app to your smartphone, and install the Wiser Hub to configure and control Wiser devices. You can use the app to pair, set up and control Wiser devices. The Wiser by SE app is available in the App stores for smartphones supporting operating systems Android™ OS (version 7 and above) or Apple® iOS (version 11 and above).

For more detailed information, refer to the Wiser User Guides online. Scan the QR code or follow the link: <https://www.productinfo.schneider-electric.com/clipsal/>





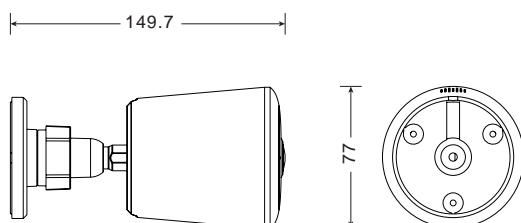
The Wiser IP Camera Outdoor provides day and night HD video recording, with a wide angle view, motion detection notification alerts, intercom and event or continuous recording. Simple and intuitive control via the Wiser by SE App from anywhere. Use standalone or integrate into the Wiser Smart Home System and Automations. With adjustable camera position and IP56 protection, it can be installed on a wall or ceiling/eave to suit any home.



Wiser IP Camera Outdoor

Identification	
Commercial reference	CLP724419
Product or component type	Camera
Product colour	White
Power	
Power supply	12 V DC, 1 A DC power adaptor
Nominal power for AC adaptor	100-240 VAC, 50/60 Hz
Characteristics	
Communication interface	Wi-Fi® - 802.11b/g/n, 2.4GHz
Security	Wi-Fi® - WPA/WPA2, WPA-PSK/WPA2-PSK Data - AES128
Transmission capacity	Max. 100 mW
Camera	1/2.7" Color CMOS sensor, 2 Megapixels (MP) 128° diagonal, 103° horizontal, and 54° vertical Wide-angle lens Up to 10 m IR range Digital zoom function Full HD camera with night vision Motion detection, push notifications and recording Motion detection with area configuration Can be installed on wall or ceiling Supports time watermark, to record videos with date and time stamp
Motion detection range	10 m
Operating frequency	2405 - 2480 MHz
Audio communication	Semi duplex
Image/Video	H.264 video compression 1080 P resolution Image snapshot, event recording and full-time recording
Local storage support	Micro SD Card, max. 128 GB (not included)
Installation	
Dimensions	149.7 × 77 mm
Weight	220 g
Material	Plastic
Protection class	IP56
Environment	
Operating temperature	-20 °C to 60 °C
Storage temperature	-30 °C to 85 °C
Operating humidity	20 % - 95 % non-condensing
Functions and settings	
<ul style="list-style-type: none"> • Supports snapshot and video recording on micro SD card. • Support digital zoom, image snapshot, motion detection recording and full-time recording. • On detecting motion, sends notifications and snapshots. • Can be integrated into automations created via Wiser by SE app. 	

Dimensions (mm)



Note:

Download the Wiser by SE app to your smartphone, and install the Wiser Hub to configure and control Wiser devices. You can use the app to pair, set up and control Wiser devices. The Wiser by SE app is available in the App stores for smartphones supporting operating systems Android™ OS (version 7 and above) or Apple® iOS (version 11 and above).

For more detailed information, refer to the Wiser User Guides online. Scan the QR code or follow the link: <https://www.productinfo.schneider-electric.com/clipsal/>



Technical Characteristics

Wiser Micro Modules



Download
Wiser by SE app



The Wiser Micro Module Switch combines the advantages of smart switch functionality with ordinary momentary (bell press) push-button switches. It transforms a conventional push-button switch into a connected device you can control from the switch or through the Wiser by SE app. Up to 10 momentary push-button switches can be connected to one Wiser Micro Module Switch to control a connected load. With voltage free relay contacts, it is suitable for a wide range of from lighting to garage door motors.



Wiser Micro Module Switch

Identification

Commercial Reference	CLP5011WSZ
Product colour	Grey
Product or component type	Micro Module

Power

Nominal voltage	220-240 V AC, 50/60 Hz
Nominal current	10 AX
Switching	1 switching channel with dry contact

Maximum load

LED lamp 230 V	200 W	
Incandescent lamp 230 V	2200 W	
Halogen lamp 230 V	2000 W	
LV halogen lamps	electronic transformer	1050 VA
	ferromagnetic transformer	500 VA
Capacitive load	10 A, 140 µF	
Energy-saving lamps	100 W	
Motor	1000 VA	
Room heater	1500 W	
Electric boiler	2000 W	

Characteristics

Direct operation	Operate the Wiser Micro Module Switch via a connected momentary push button (up to 10 push buttons can be connected)
Remote operation via Wiser by SE app	<ul style="list-style-type: none"> Operate the Wiser Micro Module Switch using the app on your smartphone (the Micro Module needs to be paired to the Wiser Hub) Set a timer or time schedule via the app

Environment

IP rating	IP20
Operating temperature	-10 °C to 50 °C
Operating humidity	10 % to 95 % RH, non-condensing

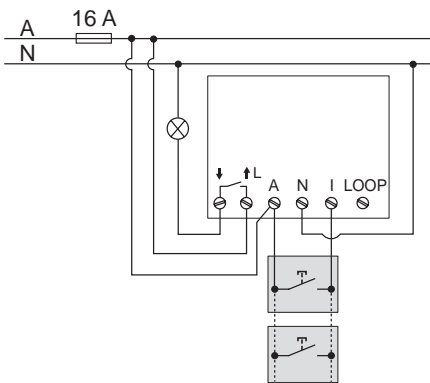
Installation

Dimensions (H x W x D)	43 x 43 x 22 mm
Installation method	Mount in wall box with a minimum depth of 26 mm. Notes: <ul style="list-style-type: none"> If you place the Micro Module directly behind the external push button, use a deep wall box. Neutral conductor required.

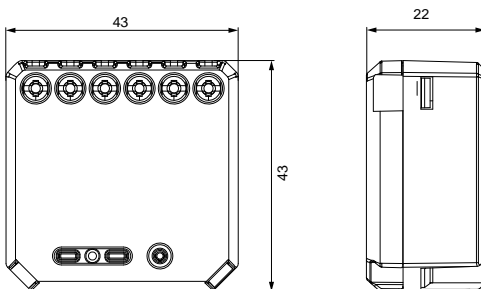
Certification

Zigbee®	Zigbee 3.0
---------	------------

Wiring diagram



Dimensions (mm)



Note:

Download the Wiser by SE app to your smartphone, and install the Wiser Hub to configure and control Wiser devices. You can use the app to pair, set up and control Wiser devices. The Wiser by SE app is available in the App stores for smartphones supporting operating systems Android™ OS (version 7 and above) or Apple® iOS (version 11 and above).

For more detailed information, refer to the Wiser User Guides online. Scan the QR code or follow the link: <https://www.productinfo.schneider-electric.com/clipsal/>



Technical Characteristics

Wiser Micro Modules



Download
Wiser by SE app



The Wiser Micro Module Dimmer combines the advantages of smart dimmer functionality with ordinary momentary (bell press) push-button switches. It transforms a conventional push-button switch into a connected device you can control from the switch or through the Wiser by SE app. Up to 10 momentary push-button switches can be connected to one Wiser Micro Module Dimmer to control a dimmable load. The device can switch and dim ohmic, inductive, or capacitive loads.



Wiser Micro Module Dimmer

Identification

Commercial Reference	CLP5010WDZ
Product colour	Grey
Product or component type	Micro Module

Power

Nominal voltage	220-240 V AC, 50/60 Hz
Dimming	1 dimming channel

Maximum load

LED lamp 230 V	RC ⁽¹⁾ : 5 to 100 W RL ⁽²⁾ : 5 to 20 W Note: a 31LCDA may be required for some LED loads
Incandescent lamp 230 V	14 to 200 W
Halogen lamp 230 V	14 to 150 W
LV halogen lamps	dimmable electronic transformer: 14 to 200 VA dimmable ferromagnetic transformer: 14 to 150 VA

Characteristics

Micro module	<ul style="list-style-type: none"> Automatic load detection Brightness memory function Soft start, soft stop Electronic overload protection, overheating protection, short-circuit protection.
Direct operation	Operate the Wiser Micro Module Dimmer via a connected momentary push button (up to 10 push buttons can be connected)
Remote operation via Wiser by SE app	<ul style="list-style-type: none"> Operate the Wiser Micro Module Dimmer using the app on your smartphone (the micro module needs to be paired to the Wiser Hub) Set the switch-on brightness or memory function (default setting) Set the dimming range: minimum and maximum brightness Set the LED operating mode manually (RL LED mode) Set a timer or time schedule via the app

Environment

IP rating	IP20
Operating temperature	-10 °C to 50 °C
Operating humidity	10 % to 95 % RH, non-condensing

Installation

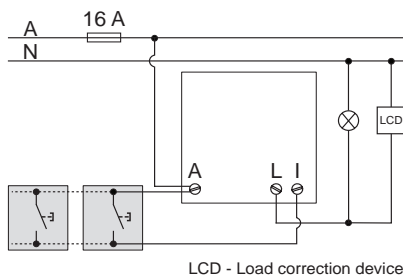
Dimensions (H x W x D)	43 x 43 x 22 mm
Installation method	Mount in wall box with a minimum depth of 26 mm. Note: If you place the Micro Module directly behind the external push button, use a deep wall box.

Certification

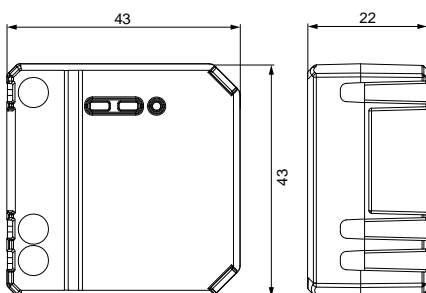
Zigbee®	Zigbee 3.0
---------	------------

(1) RC = Resistive and Capacitive loads.
(2) RL = Resistive and Inductive loads.

Wiring diagram



Dimensions (mm)



Note:

Download the Wiser by SE app to your smartphone, and install the Wiser Hub to configure and control Wiser devices. You can use the app to pair, set up and control Wiser devices. The Wiser by SE app is available in the App stores for smartphones supporting operating systems Android™ OS (version 7 and above) or Apple® iOS (version 11 and above).

For more detailed information, refer to the Wiser User Guides online. Scan the QR code or follow the link: <https://www.productinfo.schneider-electric.com/clipsal/>



Technical Characteristics

Wiser Micro Modules



Download
Wiser by SE app



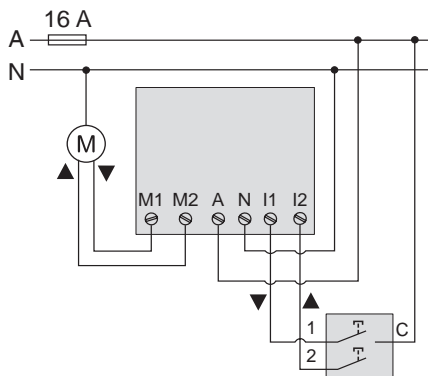
The Wiser Micro Module Blind Controller combines the advantages of smart shutter functionality with ordinary momentary (bell press) push-button switches. Provides control of motorised blinds either from momentary switches, voice command or Wiser by SE app. Up to 10 double momentary push-button switches or 3 position switches can be connected to one Wiser Micro Module Blind Controller to control a connected blind or roller shutter. The Blind Control Micro Module is designed to control 240 V twin active blind and shutter motors equipped with an end position switch. Relay contacts mechanically locked against each other help to prevent simultaneous triggering of the two relay outputs.



Wiser Micro Module Blind Controller

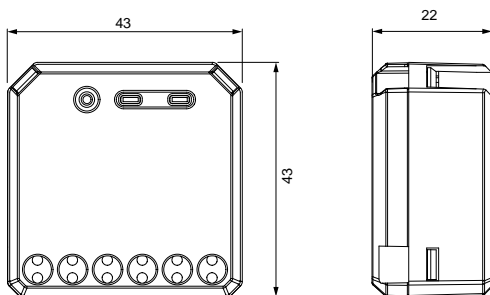
Identification	
Commercial Reference	CLP5015WBZ
Product colour	Grey
Product or component type	Micro Module
Power	
Nominal voltage	220-240 V AC, 50/60 Hz
Nominal current	4 A, $\cos \phi = 0.6 - 1.0$
Channel	1 blind channel, mechanically and electronically locked against each other
Maximum load	
Motor	960 VA
Characteristics	
Micro module	Protection of the motor against damage with two mutually mechanically and electronically locked relay contacts
Direct operation	Operate the Wiser Micro Module Blind Controller via a connected double momentary push button or 3 position switch (up to 10 can be connected in parallel).
Remote operation via Wiser by SE app	<ul style="list-style-type: none"> Operate the Wiser Micro Module Blind Controller using the app on your smartphone (the micro module needs to be paired to the Wiser Hub) Set the running time Set a timer or time schedule via the app
Environment	
IP rating	IP20
Operating temperature	-10 °C to 50 °C
Operating humidity	10 % to 95 % RH, non-condensing
Installation	
Dimensions (H x W x D)	43 x 43 x 22 mm
Installation method	Mount in wall box with a minimum depth of 26 mm. Notes: <ul style="list-style-type: none"> If you place the micro module directly behind the external push button, use a deep wall box. Neutral conductor required
Certification	
Zigbee®	Zigbee 3.0

Wiring diagram



Push button: 1 x Momentary 3-position switch

Dimensions (mm)



Note:

Download the Wiser by SE app to your smartphone, and install the Wiser Hub to configure and control Wiser devices. You can use the app to pair, set up and control Wiser devices. The Wiser by SE app is available in the App stores for smartphones supporting operating systems Android™ OS (version 7 and above) or Apple® iOS (version 11 and above).

For more detailed information, refer to the Wiser User Guides online. Scan the QR code or follow the link: <https://www.productinfo.schneider-electric.com/clipsal/>



Technical Characteristics

Iconic Connected Devices



Download
Wiser by SE app



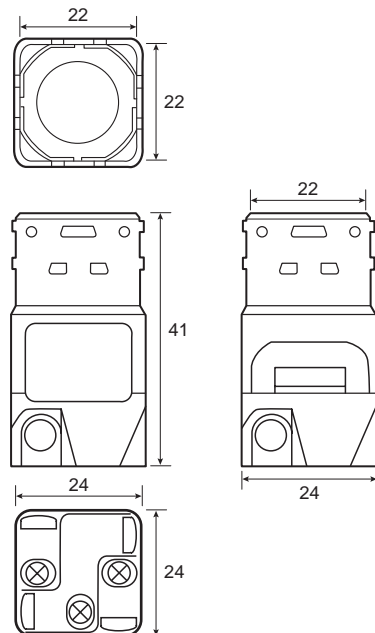
The multi-award-winning Iconic Connected 2 AX switch is ideal for controlling LED lighting loads and exhaust fans. The small housing with integrated terminals allows quick installation into 6-Gang plates and standard wall boxes. The product comes in a 3-wire design and requires a neutral. The subtle warm white status LED indicator mode can be customized using the Wiser by SE app. When in BLE mode, the 2 A switch has a 1s-24 hr time delay and run-on timer functionality. When connected to the Wiser Hub, the switch can be integrated into Moment and Automations, or simply be operated as a timer or time scheduler. It can be controlled through the push button on the wall, remotely using the Wiser by SE app, or voice command.



Iconic Connected Switch 2 AX

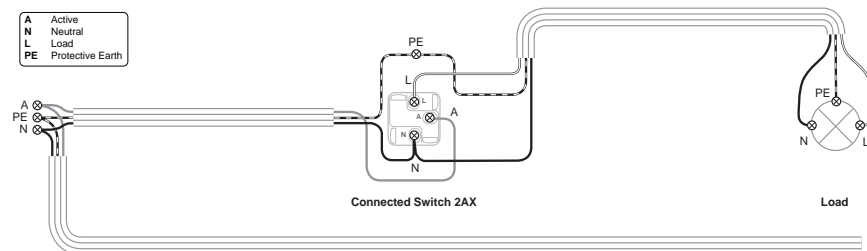
Identification	
Commercial Reference	41E2PBSWMZ-VW (Zigbee) 41E2PBSWM-VW (BLE)
Supported protocols	Zigbee 3.0 and BLE
Product colour	Vivid White
Product or component type	Connected Mechanism
Power	
Operating voltage	220–240 V AC, 50 Hz
Switching technique	Relay
Maximum load	
Resistive load (e.g. incandescent lighting)	2 A
MV halogen load	
Electronic LV lighting transformers	
LED lighting drivers	
Linear fluorescent ballasts	
Inductive load (e.g. exhaust fan)	2 A @ 0.6 pF
M-rating	M.8
Characteristics	
Mechanism	<ul style="list-style-type: none"> Over-temperature and thermal protection LED indicator
Multiway control	No Controllink available (however can be achievable via Automation functions)
Environment	
IP rating	IP20
Operating humidity	5 % – 90 % RH, non-condensing
Operating temperature	0 °C to 45 °C
Installation	
Suitable wall box	Standard
Compatible plate ranges	Iconic, Iconic Styl, Iconic Essence, Pro Series
Multi-gang plate capacity	Max 6 primary mechs per plate
Certification	
Zigbee®	Zigbee 3.0
Compliance	
Safety	AS/NZS 60669.2.1
EMC	AS/NZS 60669.2.1
RF	AS/NZS 4268

Dimensions (mm)



Wiring diagram

(Typical installation using Iconic Connected Module)



Note:
Download the Wiser by SE app to your smartphone, and install the Wiser Hub to configure and control Wiser devices. You can use the app to pair, set up and control Wiser devices. The Wiser by SE app is available in the App stores for smartphones supporting operating systems Android™ OS (version 7 and above) or Apple® iOS (version 11 and above).

For more detailed information, refer to the Wiser User Guides online. Scan the QR code or follow the link: <https://www.productinfo.schneider-electric.com/clipsal/>



Technical Characteristics

Iconic Connected Devices



Download
Wiser by SE app

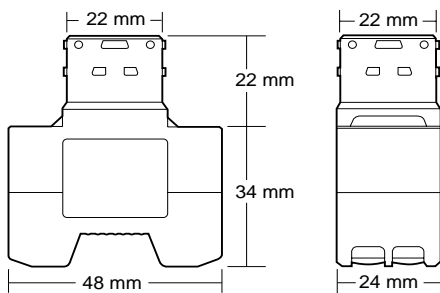


The Iconic Connected Switch 10 AX is suitable for controlling a wide variety of loads. The housing with integrated terminals allows quick installation into 3-Gang plates and deep wall boxes. The product comes in a 3-wire design and requires a neutral. ControlLink provides the option of hard-wired multiway switching. The subtle warm white status LED indicator mode can be customized using the Wiser by SE app. When in BLE mode, the 10 AX switch has a 1s-24 hr time delay and 24/7 scheduling functionality. When connected to the Wiser Hub, the switch can be integrated into Moments and Automations or simply be operated as a timer or time scheduler. It can be controlled through the push button on the wall, remotely using the Wiser by SE app, or voice command.

Iconic Connected Switch 10 AX



Dimensions (mm)



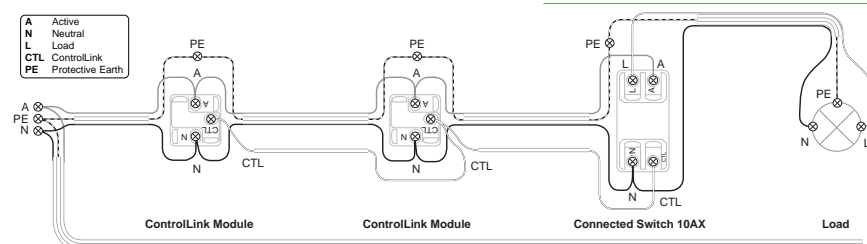
Wiring diagram

(Typical 3-way installation using Iconic Connected Module)

Note: Set the ControlLink Module to Switch mode - see ControlLink Module instructions

Notes:

- All Active connections must be on the same phase.
- Up to 5-way switching (e.g. 1x 10AX Switch plus up to 4x ControlLink Modules, or up to 3x 10AX Switches plus 2x ControlLink Modules). In case of multiple 10AX Switches being installed, each switch must be connected to a separate load.
- Total length of CTL and Active loop: max. 50 m.
- Control and load cables must not be coupled.



Note:

Download the Wiser by SE app to your smartphone, and install the Wiser Hub to configure and control Wiser devices. You can use the app to pair, set up and control Wiser devices. The Wiser by SE app is available in the App stores for smartphones supporting operating systems Android™ OS (version 7 and above) or Apple® iOS (version 11 and above).

Identification	
Commercial Reference	41E10PBSWMZ-VW (Zigbee) 41E10PBSWM-VW (BLE)
Supported protocols	Zigbee 3.0 and BLE
Product colour	Vivid White
Product or component type	Connected Mechanism
Power	
Operating voltage	220 – 240 V AC, 50 Hz
Switching technique	Relay
Maximum load	
Resistive load (e.g. incandescent lighting)	15 A
MV halogen load	10 A
Electronic LV lighting transformers	
LED lighting drivers	
Linear fluorescent ballasts	
Inductive load (e.g. exhaust fan)	6 A @ 0.6 pF
M-rating	M.40
Characteristics	
Mechanism	<ul style="list-style-type: none"> Over-temperature and thermal protection LED indicator
Multiway control	<ul style="list-style-type: none"> Via ControlLink (up to 5-way switching) Total length of CTL and Active loop: max. 50 m
Power failure data retention	<ul style="list-style-type: none"> Internal date/time retained for at least 6 hrs Settings preserved indefinitely
Environment	
IP rating	IP20
Operating humidity	5 % – 90 % RH, non-condensing
Operating temperature	0 °C to 45 °C
Installation	
Suitable wall box	Deep
Compatible plate ranges	Iconic, Iconic Styl, Iconic Essence, Pro Series
Multi-gang plate capacity	Max. 3 primary mechs per plate
Certification	
Zigbee®	Zigbee 3.0
Compliance	
Safety	AS/NZS 60669.2.1
EMC	AS/NZS 60669.2.1
RF	AS/NZS 4268

For more detailed information, refer to the Wiser User Guides online. Scan the QR code or follow the link: <https://www.productinfo.schneider-electric.com/clipsal/>



Technical Characteristics

Iconic Connected Devices



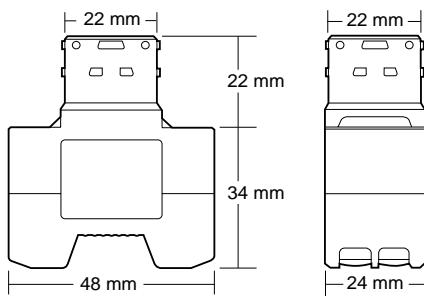
Download
Wiser by SE app



The Iconic Connected Dimmer provides smooth, full range LED dimming control. The housing with integrated terminals allows quick installation into 3-Gang plates and deep wall boxes. The product comes in a 3-wire design and requires a neutral. ControlLink provides the option for hard-wired multiway dimming. The subtle warm white status LED indicator mode can be customized using the Wiser by SE app. When in BLE mode, the Connected Dimmer has a 1s-24 hr time delay and 24/7 scheduler functionality. When connected to the Wiser Hub, the dimmer can be integrated into Moments and Automations or simply be operated as a timed or time-scheduled dimmer. It can be controlled through the push button on the wall, remotely using the Wiser by SE app, or voice command.



Dimensions (mm)



Wiring diagram

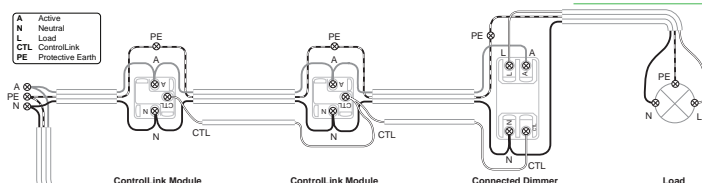
(Typical 3-way installation using Iconic Connected Module)

Note:

Control Link Module work with the Connected Dimmer out-of-the-box.

Note:

- All Active connections must be on the same phase.
- Up to 5-way dimming (e.g. 1x Dimmer plus up to 4x Control Link Modules, or up to 3x Dimmers plus 2x Control Link Modules).
- In case of multiple Dimmers being installed, each Dimmer must be connected to a separate load.
- Total length of CTL and Active loop: max. 50 m.
- Control and load cables must not be coupled.



Note:

Download the Wiser by SE app to your smartphone, and install the Wiser Hub to configure and control Wiser devices. You can use the app to pair, set up and control Wiser devices. The Wiser by SE app is available in the App stores for smartphones supporting operating systems Android™ OS (version 7 and above) or Apple® iOS (version 11 and above).

Iconic Connected Dimmer

Identification	
Commercial Reference	41EPBDWCLMZ-VW (Zigbee) 41EPBDWCLM-VW (BLE)
Supported protocols	Zigbee 3.0 and BLE
Product colour	Vivid White
Product or component type	Connected Mechanism
Power	
Operating voltage	220–240 V AC, 50 Hz
Maximum load	
Limits	No minimum load required Max. 300 W
Dimmable LED	150 W
Dimmable compact fluorescent	300 W
240 V incandescent/halogen	
LV halogen with electronic transformer	
Non-dimmable LED	Not compatible
Non-dimmable compact fluorescent	Not compatible
Characteristics	
Mechanism	<ul style="list-style-type: none"> Over-temperature, short circuit and overcurrent/thermal fuse protection LED indicator LED indicator flashes in the event of load disconnection or failure
Dimming range	Min. 0 %, Max. 100 % (depending on load)
Multiway control	<ul style="list-style-type: none"> Via ControlLink (up to 5-way dimming using max. 3 x Iconic Connected Dimmers and remainder ControlLink modules) Total length of CTL and Active loop: max. 50 m
Power failure data retention	<ul style="list-style-type: none"> Internal date/time retained for at least 6 hrs Settings preserved indefinitely
Environment	
IP rating	IP20
Operating humidity	5 % – 90 % RH, non-condensing
Operating temperature	0 °C to 45 °C
Installation	
Suitable wall box	Deep
Compatible plate ranges	Iconic, Iconic Styl, Iconic Essence, Pro Series
Multi-gang plate capacity	Max 3 primary mechs per plate
Certification	
Zigbee®	Zigbee 3.0
Compliance	
Safety	AS/NZS 60669.2.1
EMC	AS/NZS 60669.2.1
RF	AS/NZS 4268

For more detailed information, refer to the Wiser User Guides online. Scan the QR code or follow the link: <https://www.productinfo.schneider-electric.com/clipsal/>



Technical Characteristics

Iconic Connected Devices



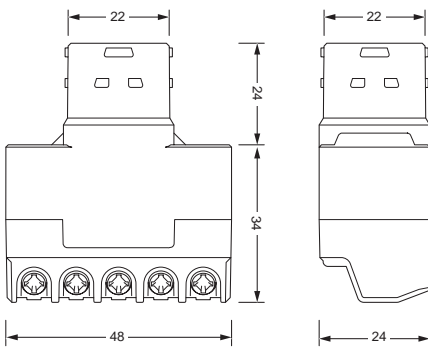
Download
Wiser by SE app



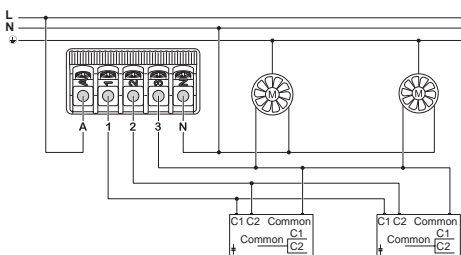
The Iconic Connected AC Fan Speed Controller provides 3-speed control of 240 V AC ceiling fans. Controlling up to 2 ceiling fans, it offers added flexibility. The subtle, warm-white status LED indicates the fan speed and can be adjusted using the Wiser by SE app. Available in BLE mode for simple app control and timer options, or in Zigbee mode for connection with the Wiser Hub. When used with the Wiser Hub the fan controller can be integrated into moments and automations. It can be controlled through the push button on the wall, remotely using the Wiser by SE app or voice command.



Dimensions (mm)



Wiring diagram



Note:

Download the Wiser by SE app to your smartphone, and install the Wiser Hub to configure and control Wiser devices. You can use the app to pair, set up and control Wiser devices. The Wiser by SE app is available in the App stores for smartphones supporting operating systems Android™ OS (version 7 and above) or Apple® iOS (version 11 and above).

Iconic Connected AC Fan Speed Controller

Identification	
Commercial Reference	41ECSFWMZ-VW (Zigbee) 41ECSFWM-VW (BLE)
Supported protocols	Zigbee 3.0 and BLE
Product or component type	Fan speed controller
Power	
Operating voltage	220–240 V AC, 50 Hz
Load rating	Total max.150 W
Switching technique	Relay
Protection	
Over Temperature	Yes
Thermal protection	Yes
Fan control type	3 speed (utilises capacitor provided with fan)
Characteristics - 41ECSFWMZ-VW	
Operating frequency	2.405 GHz to 2.48 GHz
Max. radio-frequency power transmitted	<10 mW
LED Indicator	Yes
Environment	
IP degree of protection	IP20
Operating humidity	5 % – 90 % RH, non-condensing
Operating temperature	-10 °C to +50 °C
Installation	
Installation method	Install the device only indoors or in sufficiently protected housing. Fit the fan controller to the grid, then mount the grid and install the skin.
Compatible plate ranges	Iconic, Iconic Styl, Iconic Essence, Pro Series
Mounting Centres	84 mm pattern plate
Multi-gang plate capacity	Max. 3 primary fan controllers per plate
Package content	Fan controller and Iconic Push-button assembly (vivid white)
Certification	
	Zigbee 3.0, BLE
Compliance	
Product certification	RCM

For more detailed information, refer to the Wiser User Guides online. Scan the QR code or follow the link: <https://www.productinfo.schneider-electric.com/clipsal/>



Technical Characteristics

Iconic Connected Devices



Download
Wiser by SE app

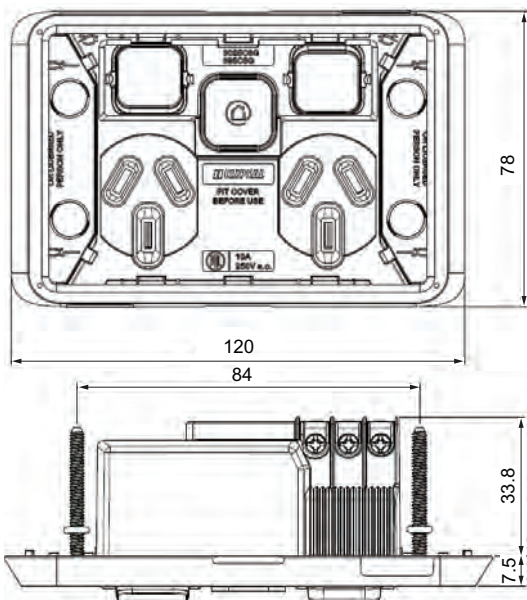


The Iconic Connected Socket provides app controlled switching of plug-in appliances using the Wiser by SE app. When in BLE mode, the socket has a 12-24 hr time delay and 24/7 scheduler functionality. When connected to the Wiser Hub, the socket can be integrated into Moments and Automations or simply be operated with a timed or time-scheduled output. When the manual switch on the socket is in the Smart position, the socket can be controlled remotely.

Note: This product is supplied as a grid only. A range of skins in various styles and colours are available for separate purchase.



Dimensions (mm)



Iconic Connected Twin 10 A Socket

Main data	
Commercial Reference	3025CSGZ (Zigbee) 3025CSG (BLE)
Supported protocols	Zigbee 3.0 and BLE
Product colour	Vivid White
Product or component type	Connected Socket
Power	
Operating voltage	240 V AC, 50 Hz
Maximum load	
Max. load rating	10 A
Characteristics	
Indicators	LED indicator
Power failure data retention	<ul style="list-style-type: none"> Internal date/time retained for at least 6 hrs Settings preserved indefinitely
Environment	
IP rating	IP20
Operating humidity	5 % – 90 % RH, non-condensing
Operating temperature	0 °C to 45 °C
Installation	
Compatible wall box and bracket ranges	<ul style="list-style-type: none"> 155 155NA 157 157PRM 157/1PRMD 157/1F
Compatible skins (to be ordered separately)	<ul style="list-style-type: none"> 3025CSC-VW (Iconic, Vivid White) 3025CSC-CY (Iconic, Cool Grey) 3025CSC-AN (Iconic, Anthracite) S3025CSC-SV (Iconic Styl, Silver) S3025CSC-CE (Iconic Styl, Crowne) S3025CSC-SH (Iconic Styl, Silver Shadow) E3025CSC-AW (Iconic Essence, Arctic White) E3025CSC-AG (Iconic Essence, Ash Grey)
Certification	
Zigbee®	Zigbee 3.0
Compliance	
Safety	<ul style="list-style-type: none"> AS/NZS 3112 AS/NZS 60669.2.1
EMC	AS/NZS 60669.2.1
RF	AS/NZS 4268

Note:

Download the Wiser by SE app to your smartphone, and install the Wiser Hub to configure and control Wiser devices. You can use the app to pair, set up and control Wiser devices. The Wiser by SE app is available in the App stores for smartphones supporting operating systems Android™ OS (version 7 and above) or Apple® iOS (version 11 and above).

For more detailed information, refer to the Wiser User Guides online. Scan the QR code or follow the link: <https://www.productinfo.schneider-electric.com/clipsal/>



Technical Characteristics

Iconic Connected Devices



Download
Wiser by SE app



The Iconic Outdoor Connected Socket operates as a switch and a switched socket outlet 'out-of-the-box' with no configuration needed. Perfect for use with the equipment you only want to run at specific times, the Iconic Outdoor Single Switched Socket with Timer is rated 10 A, 250 V. Using Bluetooth Low Energy (BLE), configure your settings using the Wiser by SE app from your phone or tablet. It can also be upgraded for remote access.

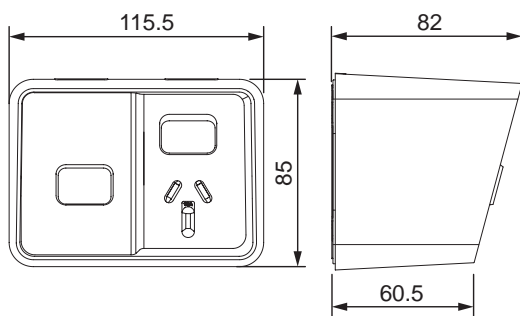
Note: The switch fitted is a Wiser Connected switch 41E10PBSWM-VW in BLE default mode, however can be converted to Zigbee.



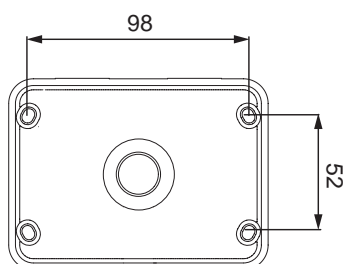
Iconic Outdoor Connected Socket

Identification	
Commercial reference	O3015T-XW O3015T-BK
Product or component type	Switched socket
Product colour	Extra White (XW), Black (BK)
Range	Iconic Outdoor
Power	
Rating	10 A, 250 V AC, 50 Hz
Characteristics	
Outlet poles configuration	1P + E with shutter
Device presentation	Complete product
Provided equipment	Frame, Grid plate, and Skin
Fixing mode	Frame - By screws (horizontal) Skin, Grid, and Frame - Clip together
Type of packing	Box
Sale per indivisible quantity	1
Number of power socket outlets	1
Control type	ON/OFF Switch, Wiser by SE App
Number of rockers	1
Number of conduit entries	5 x, Ø20/Ø25, Rigid or Flexible
Outlet standard	Australian/New Zealand
Surface finish	Matt
M-Rating (Locked rotor current)	M40
Electrical durability	12000 operating cycles to AS/NZS 3133
Mechanical durability	20000 plugging operating cycles
Connections - terminals	3 x screw terminals
Screwdriver shape	Philips No 2, Square drive No 1 (SQ1)
Clamping connection capacity	3 x 2.5 mm ² , 2 x 4.0 mm ²
Wire stripping length	16 mm
Standards	AS/NZS 3112, AS/NZS 60669.2.1
IP degree of protection	IP54
Installation	
Dimensions (H x W x D)	85 x 115 x 82 mm
Product weight	0.292 kg
Material	Frame: PC (polycarbonate) and TPE (thermoplastic elastomer) Grid plate : PC (polycarbonate) Shutter : POM (polyoxymethylene) Skin: ABS (acrylonitrile butadiene-styrene)
Device mounting	Surface mount
Environment	
Ambient air temperature for storage	0 °C to 60 °C
Ambient air temperature for operation	0 °C to 45 °C
Relative humidity	10 % – 95 %
Certification	
RCM	

Dimensions (mm)



Mounting centres (mm)



Note:

Download the Wiser by SE app to your smartphone, and install the Wiser Hub to configure and control Wiser devices. You can use the app to pair, set up and control Wiser devices. The Wiser by SE app is available in the App stores for smartphones supporting operating systems Android™ OS (version 7 and above) or Apple® iOS (version 11 and above).



For more detailed information, refer to the Wiser User Guides online. Scan the QR code or follow the link: <https://www.productinfo.schneider-electric.com/clipsal/>



Commercial Reference Numbers

The products listed below can be integrated into a Wiser™ system.

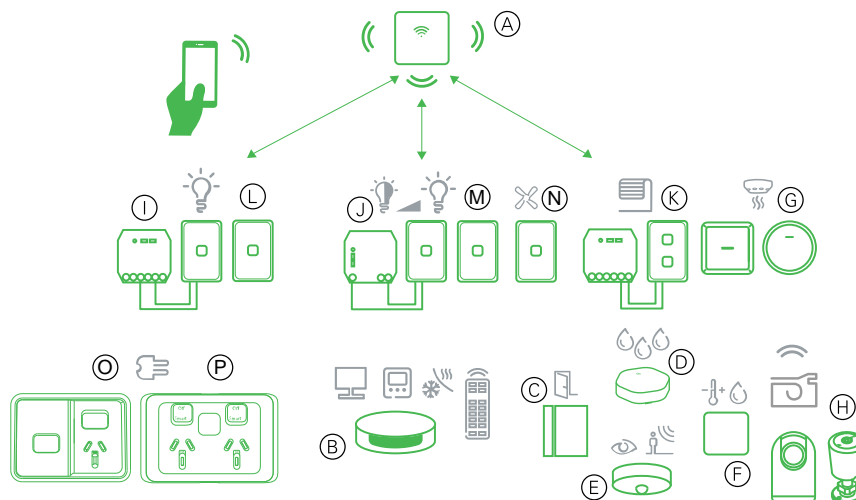
Note: Iconic Connected products with BLE default mode can also be integrated into a Wiser system by changing the operating mode to Zigbee—refer to the instructions provided with the product.

Home Control - Zigbee

Commercial Reference	Product Name	Diagram Reference	Technical Characteristics
CLP501902	Wiser Hub	A	p.8
CLP501902_0001	Wiser Hub Table Stand	A	p.9
CLP501401	Wiser IR Converter	B	p.10
CLP591011	Wiser Window/Door Sensor	C	p.11
CLP592011	Wiser Water Leakage Sensor	D	p.12
CLP595011	Wiser Motion Sensor	E	p.13
CLP593011	Wiser Temperature/Humidity Sensor	F	p.14
CLP599WSAL	Wiser Smoke Alarm - Battery	G	p.15
CLP599WSA	Wiser Smoke Alarm - 240 V Square	G	p.16
755WSA	Wiser Smoke Alarm 240 V	G	p.17
CLP723419	Wiser IP Camera Indoor	H	p.18
CLP724419	Wiser IP Camera Outdoor	H	p.19
CLP5011WSZ	Wiser Micro Module Switch	I	p.20
CLP5010WDZ	Wiser Micro Module Dimmer	J	p.21
CLP5015WBZ	Wiser Micro Module Blind Controller	K	p.22
41E2PBSWMZ-VW	Iconic Connected Switch 2 AX (Zigbee default mode)	L	p.23
41E10PBSWMZ-VW	Iconic Connected Switch 10 AX (Zigbee default mode)	L	p.24
41EPBDWCLMZ-VW	Iconic Connected Dimmer (Zigbee default mode)	M	p.25
41ECSFWMZ-VW	Iconic Connected Fan Speed Controller (Zigbee default mode)	N	p.26
3025CSGZ	Iconic Connected Twin 10 A Socket (Zigbee default mode)	O	p.27

Room Control - BLE

Commercial Reference	Product Name	Diagram Reference	Technical Characteristics
41E2PBSWM-VW	Iconic Connected Switch 2 AX (Bluetooth default mode)	L	p.23
41E10PBSWM-VW	Iconic Connected Switch 10 AX (Bluetooth default mode)	L	p.24
41EPBDWCLM-VW	Iconic Connected Dimmer (Bluetooth default mode)	M	p.25
41ECSFWM-VW	Iconic Connected Fan Speed Controller (Bluetooth default mode)	N	p.26
3025CSG	Iconic Connected Twin 10 A Socket (Bluetooth default mode)	O	p.27
O3015T-XW	Iconic Outdoor Connected Single Socket (Bluetooth default mode)	P	p.28
O3015T-BK	Iconic Outdoor Connected Single Socket (Bluetooth default mode)	P	p.28



Disclaimer

Schneider Electric (Australia) Pty Ltd reserves the right to change specifications, modify designs and discontinue items without incurring obligation and whilst every effort is made to ensure that descriptions, specifications and other information in this catalogue are correct, no warranty is given in respect thereof and the company shall not be liable for any error therein.

Wiser by SE App – Commissioning Guide

1 Download Wiser by SE app

Register account and connect to WiFi router.



2 Create rooms

Go to home settings, then Home Management.

Wire all devices as per instruction manual and power up.



3 Connect the Wiser Hub

Add the Hub via Ethernet mode and commission step by step (Connect Hub into router's ethernet port).



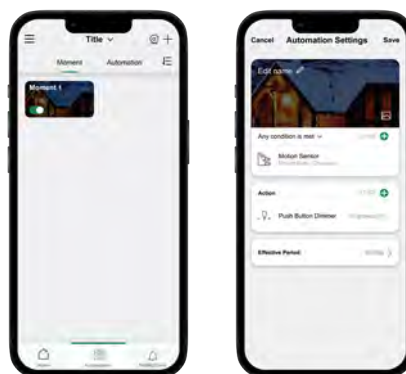
4 Add devices

Return to Home page and select the room to add devices.

Tap add device, then With Hub, then either auto scan or manually tap the device to add



5 Create moments and automations if needed



6 If connecting directly with BLE (without Hub)

Select "Without Hub" then the device to pair with and follow the steps to pair.



For more information, FAQs and How-to videos, visit <https://www.clipsal.com/wiser/install-support>

Wiser Home - Handover Guide

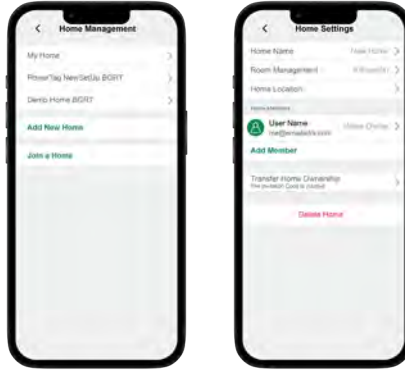
1 Select the Wiser Home to handover

Go to Home settings, then Home Management.



2 Transfer Home Ownership

Select the Home, then tap "Transfer Home Ownership".



3 Select "Transfer through Redeem Code"

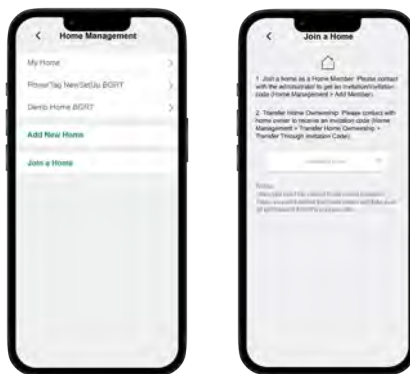


4 Activate the Redeem Code



5 End user takes ownership

The end users then enters the Redeem Code to take ownership. The Wiser Home is automatically removed from the installers app.



Wiser System Installation Guide



BLE (Bluetooth Low Energy)

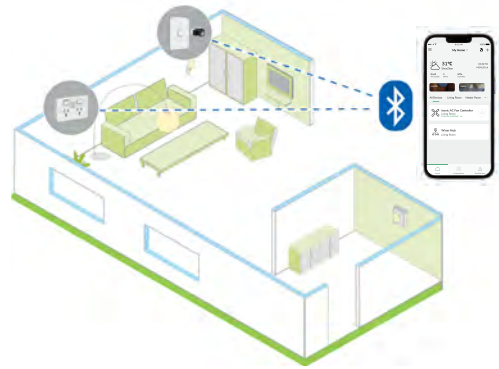
In-room point-to-point control

When used in a typical brick veneer home BLE offers a wireless range of approximately 5-10 meters and is intended for in-room control only.

Installation considerations.

Solid brick walls, concrete slab floors (in two-story homes), steel frame homes and steel obstructions such as fridges, microwaves and water heaters may reduce the BLE signal and operating range.

If a longer range is needed, or if control is needed from outside of the home or from other rooms over a longer distance, consider upgrading to Zigbee and connecting to the Wiser Hub.



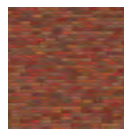
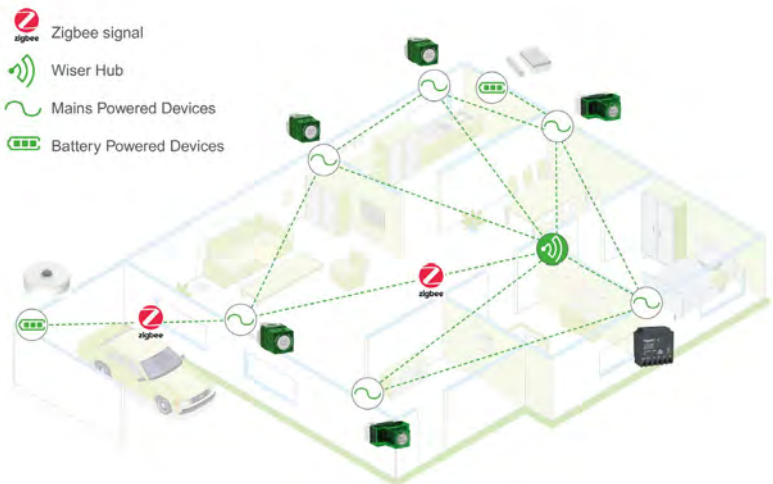
Zigbee Mesh

Full home control

When used in a typical brick veneer home, Zigbee offers a wireless range of approximately 5-15 meters between devices. All 240 V AC Wiser Zigbee devices act as routing nodes and will relay the Zigbee signal to extend the wireless range to control a whole home.

Installation considerations.

- Install the Wiser Hub in a central area for all 240 V AC mains powered devices.
- The Wiser sensors are battery-powered “sleepy-end devices” and are in sleep mode when not activated. These devices do not extend the Zigbee range. There is a limit of 10 per 240 V AC device.
- Limit the mesh system to 60 devices. Add another hub to the system if required.
- Solid brick walls, concrete slab floors (in two-story homes), steel frame homes, and steel obstructions such as fridges, microwaves, and water heaters may reduce the Zigbee signal and operating range.
- Avoid placing the Wiser Hub on top of a WiFi router as the WiFi signal may interfere with Zigbee potentially affecting performance.
- Avoid installing Zigbee devices inside a metal enclosed space such as a shed, as the signal may be reduced and may not reach another 240 V AC Zigbee device.
- To avoid Zigbee performance issues, consider the possible wireless signal obstructions and add in an extra 240 V AC Wiser Zigbee devices to extend the signal range.



Brick walls and concrete may reduce the signal



Avoid installing near steel appliances



Avoid installing in Sheds

Wiser™

Wiser with Iconic

Iconic is a modern electrical accessories range based on a slim, sleek, clean design that is easy to customise and blends in with your décor.

Loaded with clever features

Game changing modular mechanisms and grids with changeable skins and rockers for unrivalled customisation now and in the future.

With ControlLink, lights can be switched or dimmed from multiple locations.

A locking bar allows simple mechanism reorientation and sturdy locking for a quick and easy install, limiting the chance of mechanism pushbacks.

Customisable and future-ready

Interchangeable standard, Styl and Essence skins provide great customisable options to suit specific décor and lifestyle.

Iconic switches are quick and easy to personalise with pictogram rockers that even your customers can change.

Clever functionality with a range of smart, connected products and innovative technology, the platform is designed for future applications.

Upgrade to 'Skinability'

Iconic is based around a unique grid design, with a choice of three different ranges of skins that simply clip on.

Once the grids have been installed by an electrician, it's easy for the user to change the skins—simply clip off the existing skin and clip on the new skin in the desired style and colour.

Iconic

The standard Iconic range of skins offers flexibility with standard white skins and subtle colour variants that blend with interior décors. They are available with translucent edges that infuse with wall colours, or a solid edge vivid white and black option.

Iconic Styl

Iconic Styl is an irresistibly beautiful design made from durable anodised aluminium for a quality look in every home. Iconic Styl adds elegance, colour and modern simplicity with three metallic finishes to offer flexibility to a broad range of décor styles.

Iconic Essence

With smooth round wooden edges, Iconic Essence has an unmistakably luxurious look and feel. Setting a new benchmark for quality and style in residential products, the natural finish of Essence will enhance your living space.

'Skinability'

The modular and flexible approach of Iconic makes it easy for your customers to change skins in the future for a fresh new look.





Green Premium™

An industry leading portfolio of offers delivering sustainable value



More than 75% of our product sales offer superior transparency on the material content, regulatory information and environmental impact of our products:

- RoHS compliance
- REACH substance information
- Industry leading # of PEP's*
- Circularity instructions



Discover what we mean by green

[Check your products!](#)

The Green Premium program stands for our commitment to deliver customer valued sustainable performance. It has been upgraded with recognized environmental claims and extended to cover all offers including Products, Services and Solutions.

CO₂ and P&L impact through... Resource Performance

Green Premium brings improved resource efficiency throughout an asset's lifecycle. This includes efficient use of energy and natural resources, along with the minimization of CO₂ emissions.

Cost of ownership optimization through... Circular Performance

We're helping our customers optimize the total cost of ownership of their assets. To do this, we provide IoT-enabled solutions, as well as upgrade, repair, retrofit, and remanufacture services.

Peace of mind through... Well-being Performance

Green Premium products are RoHS and REACH compliant. We're going beyond regulatory compliance with step-by-step substitution of certain materials and substances from our products.

Improved sales through... Differentiation

Green Premium delivers strong value propositions through third-party labels and services. By collaborating with third-party organizations we can support our customers in meeting their sustainability goals such as green building certifications.

*PEP: Product Environmental Profile (i.e. Environmental Product Declaration)

Wiser™



Smart and Sustainable Homes



For more information about the Wiser™ range, contact your local Clipsal and Schneider Electric sales Representative, electrical wholesaler, or visit clipsal.com/wiser

Schneider Electric (Australia) Pty. Ltd.
33-37 Port Wakefield Road
Gepps Cross, South Australia, 5094

Customer Care
Phone: 13 73 28 (13SEAU)
(9.00 am to 5:00 pm Mon to Fri AEST)

Technical Support
Phone: 13 73 28 (13 SEAU)
(7:30 am to 7:00 pm Mon to Fri AEST)

03-2023
©2023 Schneider Electric. All Rights Reserved.
JYT1306800_03

clipsal.com/support

clipsal.com/wiser

Life Is  On

